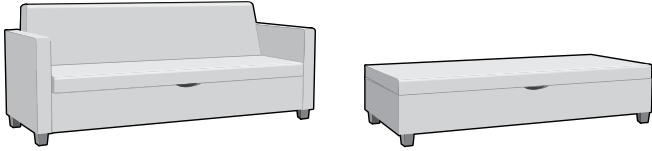


These instructions may be used to disassemble all versions of our Carson Sleeper.

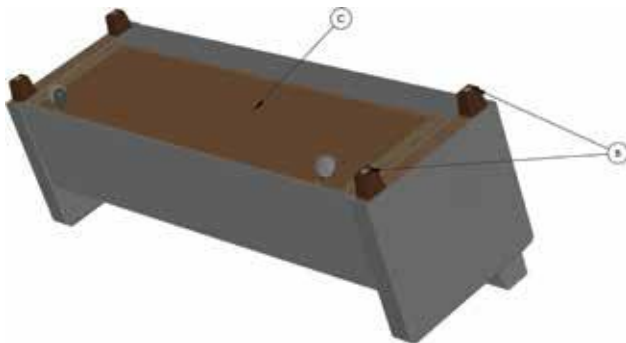
**Time Required:**

20 minutes for sleeper with all options.

Tools Required:

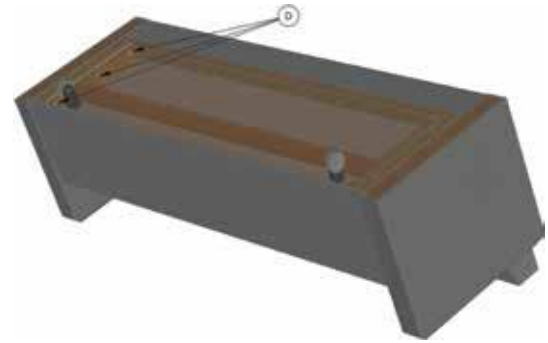
Flat screwdriver; flat pry bar; large Philips screwdriver; #2 Robertson (red handle) screwdriver; 7/16" wrench or ratchet and socket, and knife (preferably a box cutter).

A: With the aid of an assistant, turn the sleeper upside down.

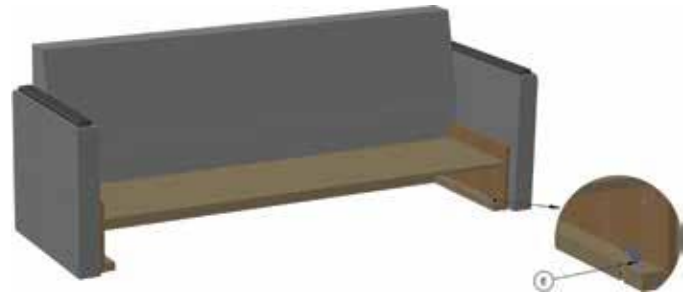


B: Using the Robertson screwdriver, remove the wood screws securing the four wood legs or the optional casters from the sleeper. Next, using a screwdriver pry the nylon glides off of the wood legs.

C: Using a screwdriver or a flat pry bar, remove the Masonite board from the bottom of the sleeper.



D: Using a ratchet and 7/16" socket, unscrew the six 3 1/4" long bolts that secures the Cross-Member Assembly to the Upper Deck. This Cross-Member Assembly along with the Lower Deck can now be separated from the Upper Deck, and set to one side.

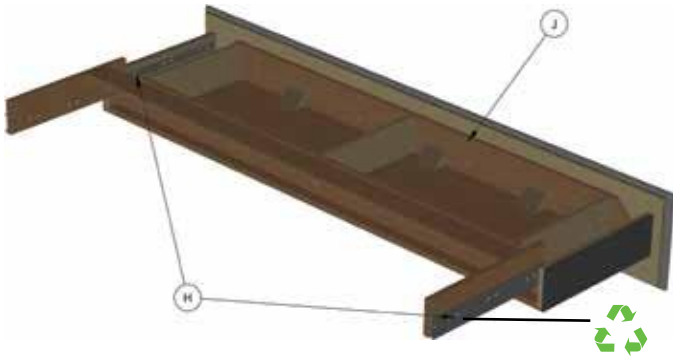


E: Remove the metal spring clips from the two hardwood spacers.

Upholstery and Foam Removal

F: Using a screwdriver or a flat pry bar, remove the cardboard from the bottom of the Lower Deck.

G: Next, using a 7/16" wrench or ratchet and socket, remove the carriage bolts which attach the casters to the caster mounting brackets. With the large Philips screwdriver now remove the caster mounting brackets from the Lower Deck.

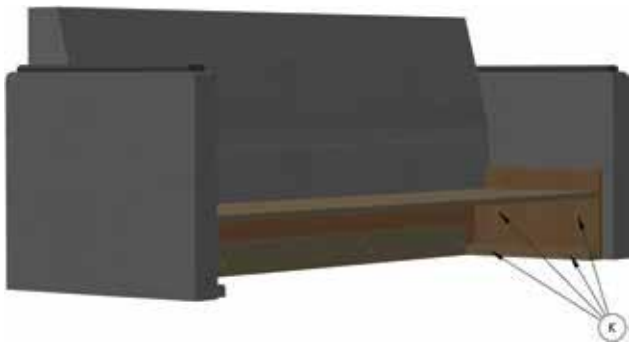


H: Now extend the Lower Deck and the Cross-Member Assembly apart from each other in order to gain access to the 12 Robertson screws securing the metal slides. Once the slides are removed the two assemblies will be separate from each other.

I: Remove the two nylon glides from the bottom edge of the side panels of the Lower Deck.

J: Using the Philips screwdriver, remove the 8 machine screws which secures the Front Kick Panel to the Lower Deck.

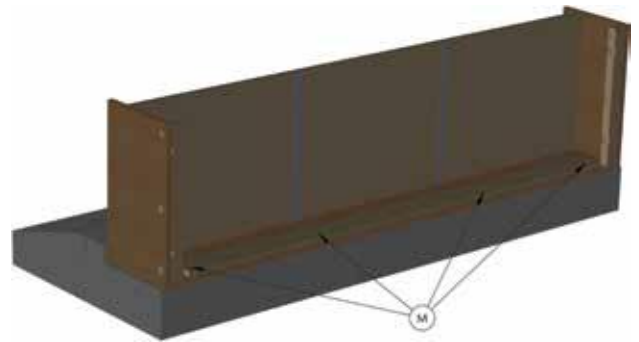
Disassembling the Upper Deck



K: If the sleeper has optional End Frames, use a 7/16" wrench, or ratchet and socket, to unscrew the 4 bolts which secure the side frames.



L: If the End Frames have optional arm caps, use a large flat blade screwdriver or a flat pry bar, to pry off the arm caps. Unscrew the threaded rods from the arm caps.








M: If the sleeper has an optional Back, with the aid of an assistant, lay the sleeper on its back and, with a knife, slice the fabric along the seam between the Back and the Upper Deck. Next remove the 4 Philips screws which attaches the Back to the Upper Deck. Now slide the Back up slightly, and then pull it away from the Upper Deck so as to free the metal clips securing the Back to the Upper Deck. Remove the metal clips with the Philips screwdriver.

Upholstery and Foam Removal

N: Using a utility knife, slice away the fabric next to the staples lines on all components of the sleeper. Next, using a knife (preferably a box cutter) remove the foam from all the components.

O: Using a screwdriver or a scraper, remove the self-adhesive plastic UHMW slides attached to the underside of the Upper Deck.

Material Breakdown

Quantity	Component	Material
2	Drawer slides	Steel 
2	Back mounting clips	Steel 
2	Spring Clips	Steel 
2	Arm caps (option)	Wood
2	Arm caps (option)	Polyurethane
1	Upper deck	Wood
1	Upper deck	Foam
1	Upper deck	MDF
1	Lower deck	Wood
1	Lower deck	Foam
1	Lower deck	Cardboard 
2	Wheel mounting brackets	Steel 
1	Front panel	Wood
1	Front panel (option)	PVC thermoform covered particle board